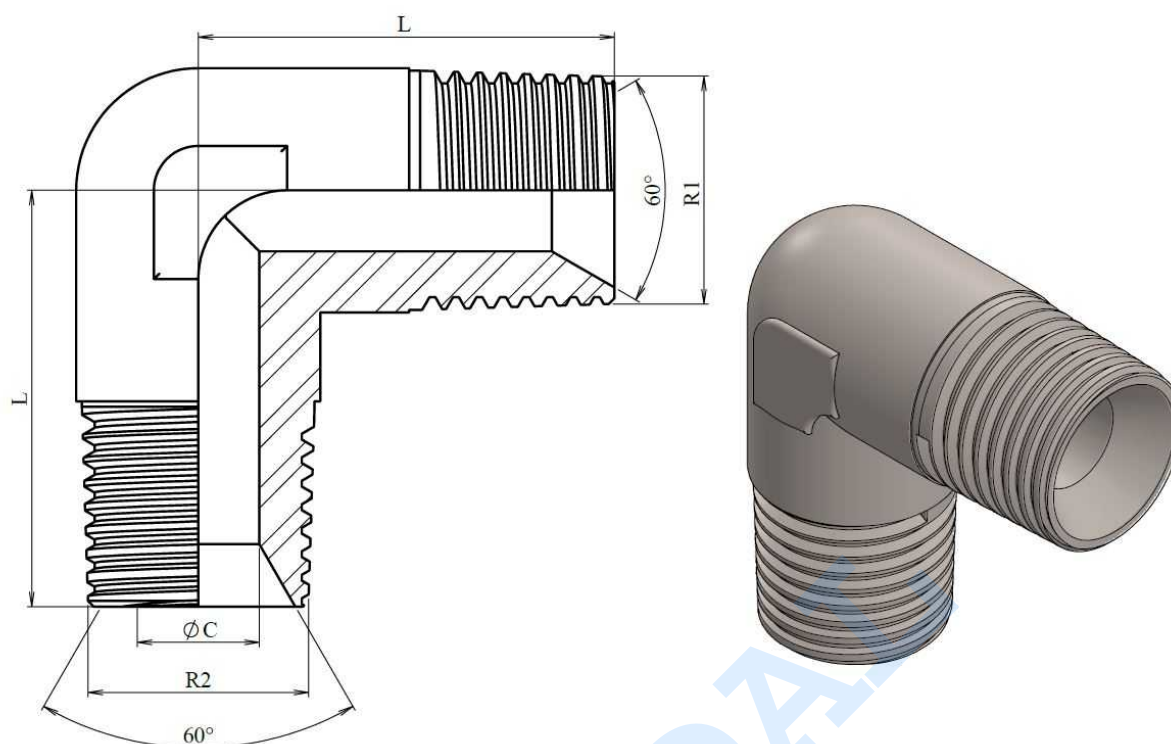


Adaptadores NPT

Codos en forja

Codo 90º macho - macho NPT

Acero Inoxidable AISI 316-L



Artículo	R1	R2	L	ØC
ZN119002	1/8" NPT	1/8" NPT	18	5
ZN119004	1/4" NPT	1/4" NPT	27	6
ZN119006	3/8" NPT	3/8" NPT	27,5	8
ZN119008	1/2" NPT	1/2" NPT	37	11
ZN119012	3/4" NPT	3/4" NPT	39	18
ZN119016	1" NPT	1" NPT	50	22
ZN119020	1" 1/4 NPT	1" 1/4 NPT	50,8	28